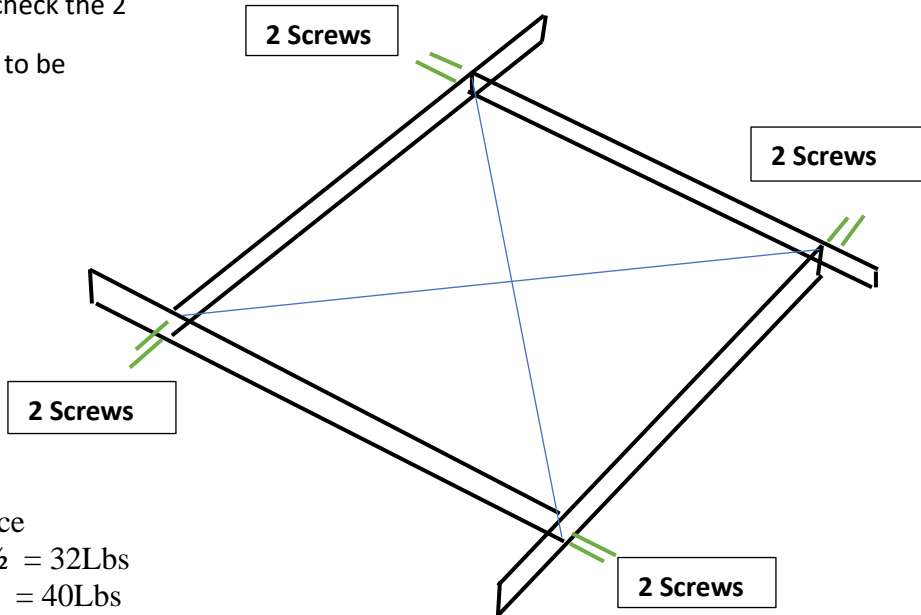


Make your frame using your
Square, then check the 2
Diagonal lines to be
Equal



For Each Piece

16 x 16 x 1 ½ = 32Lbs

18 x 18 x 1 ½ = 40Lbs

24 x 24 x 1 ½ = 70Lbs